

VERTICAL CENTRALLY CONNECTED RADIATOR.

Heat emission

The specification was verified in accordance with DIN EN 442 at The Technical University, Stuttgart (Registration at WSP-Cert Product Certification Centre, Stuttgart), under the numbers:

Type 10	0358
Type 20	0359
Type 21	0324
Type 22	0325

Material

VERTICAL RADIATORS are manufactured from cold-rolled sheet steel in line with EN 442-1 and have an elegant, stable profile with 40 mm beading.

Configuration


Each VERTICAL RADIATOR is equipped with suspension brackets welded onto the rear side. The 20 K radiator model is also supplied with two side grills.

Coating

1. Primer in accordance with DIN 55900 part 1, fired at 190° C.
2. The top coat, in accordance with DIN 55900 part 2, in RAL 9016 (available in many RAL and sanitary colours on request, for a supplement), is applied electrostatically in a modern powder coating plant. The resistant coating, which is particularly important, is fired with the radiator at a temperature of 210° C.


Packaging

1. Cardboard containers
2. Edge protection
3. Shrink wrap

 **Connections**
4 x G 1/2 I.G

 **Test positive pressure**
13 bar

 **Max. positive operating pressure** 10 bar

 **Max. operating temperature** 110 °C



ULOW-E2




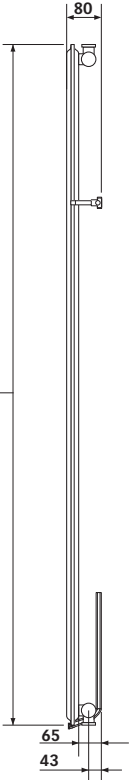
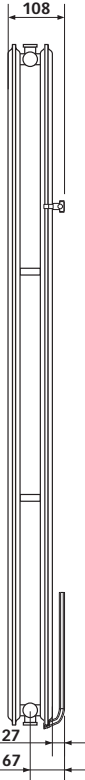

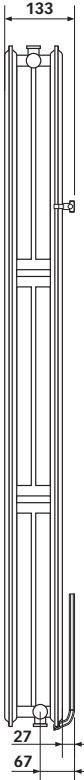
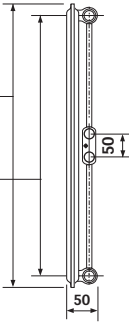
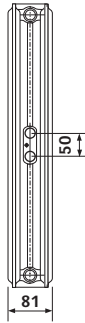
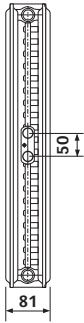
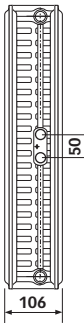
Profile panel radiators

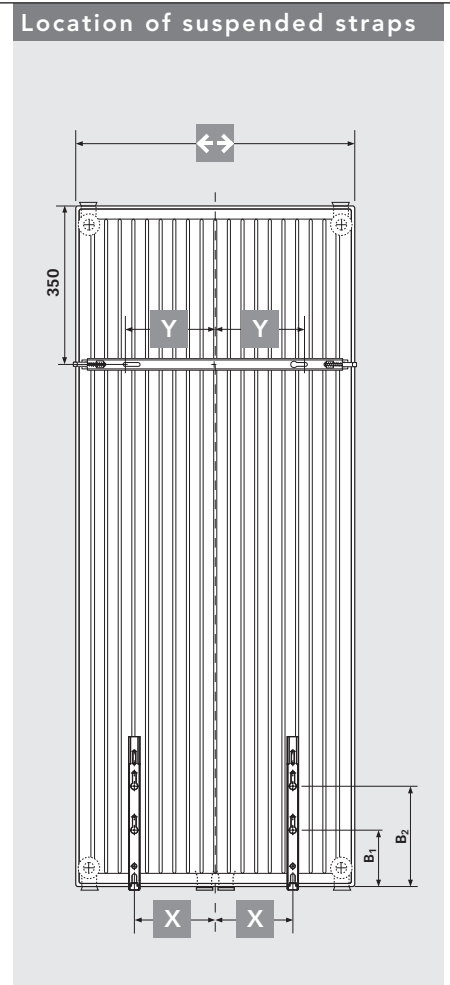
Plan panel radiators

Vertical radiators


VERTICAL CENTRALLY CONNECTED RADIATOR

Overview of models / illustration showing location for welding of suspended straps

Overview of models														
Type	10			20			21			22				
  														
														
Type	10			20			21			22				
Height [mm]	1500	1800	1950	2100	1800	1950	2100	1800	1950	2100	1800	1950	2100	2300
Length [mm]	-	450	450	600	750	300	450	600	750	300	450	600	750	-
Hub spacing [mm]	Length - 56 mm													



Type	10	20, 21, 22
B ₁	170	150
B ₂	270	250

	[mm]			
	300	450	600	750
	75	100	175	250
	25	95	170	245



DIN EN **442**






DIE neue WÄRME

Guarantee statements are available to download at www.vogelundnoot.com/download

Outputs / weights / water volume



Weight in kg and water content in litre, for the CENTRAL-CONNECTION VERTICAL RADIATOR

↑ ↓ Height [mm]	Type	1800					1950				2100				2300
		10	10	20	21	22	10	20	21	22	10	20	21	22	22
300	kg	-	-	21,4	24,92	28,16	-	23,12	27,4	30,7	-	24,52	29,08	33,24	-
450	kg	14,1	16,86	32,1	37,38	42,24	17,4	34,68	41,1	46,05	18,06	36,78	43,62	49,86	-
600	kg	18,8	22,48	42,8	49,84	56,32	23,2	46,24	54,8	61,4	24,08	49,04	58,16	66,48	-
750	kg	-	28,1	53,5	62,3	-	29	57,8	68,5	76,75	30,1	61,3	72,7	83,1	88,7
← → Length [mm]	Type	1800					1950				2100				2300
	Water volume	10	10	20	21	22	10	20	21	22	10	20	21	22	22
300	l	-	-	6,48	6,48	6,48	-	6,94	6,94	6,94	-	7,40	7,40	7,40	-
450	l	4,42	4,56	9,72	9,72	9,72	4,98	10,41	10,41	10,41	5,4	11,10	11,10	11,10	-
600	l	5,90	6,08	12,96	12,96	12,96	6,64	13,88	13,88	13,88	7,2	14,80	14,80	14,80	-
750	l	-	7,60	16,20	16,20	-	8,30	17,35	17,35	17,35	9,00	18,50	18,50	18,50	20,00
Type programme		VERTICAL CENTRALLY CONNECTED RADIATOR													

VERTICAL CENTRALLY CONNECTED RADIATOR

The availability of any type of radiator, as well as range of sizes, is in accordance with the production programme, as stated in the price list.

Radiator power data in watts, in accordance with DIN EN 442

Temperature pairings	75/65/20° C*															55/45/20° C*																	
	↑ ↓ Height [mm]	1800					1950					2100					2300	1500	1800					1950					2100				
← → Length [mm]	Type	10	10	20	21	22	10	20	21	22	10	20	21	22	22	10	10	20	21	22	10	20	21	22	10	20	21	22	22				
300	Watt	-	-	819	963	1132	-	877	1020	1192	-	935	1081	1252	-	-	-	420	486	566	-	448	514	594	-	477	546	623	-				
450	Watt	650	765	1229	1445	1698	819	1315	1530	1788	876	1403	1621	1877	-	335	389	629	729	849	413	672	771	892	439	716	819	934	-				
600	Watt	867	1020	1638	1926	2264	1092	1753	2040	2384	1168	1870	2162	2503	-	447	518	839	972	1132	551	896	1028	1189	585	954	1092	1245	-				
750	Watt	-	1275	2048	2408	-	1365	2192	2550	2980	1460	2338	2702	3129	3329	-	648	1049	1215	-	689	1120	1285	1486	732	1193	1365	1556	1656				
Radiator exponent n		1,2976	1,3246	1,3094	1,3384	1,3566	1,3381	1,3135	1,3422	1,3619	1,3516	1,3176	1,3371	1,3672	1,3671	1,2976	1,3246	1,3094	1,3384	1,3566	1,3381	1,3135	1,3422	1,3619	1,3516	1,3176	1,3371	1,3672	1,3671				
Type programme		VERTICAL CENTRALLY CONNECTED RADIATOR														* Feed temperature / return temperature / room temperature																	

The availability of any type of radiator, as well as range of sizes, is in accordance with the production programme, as stated in the price list.