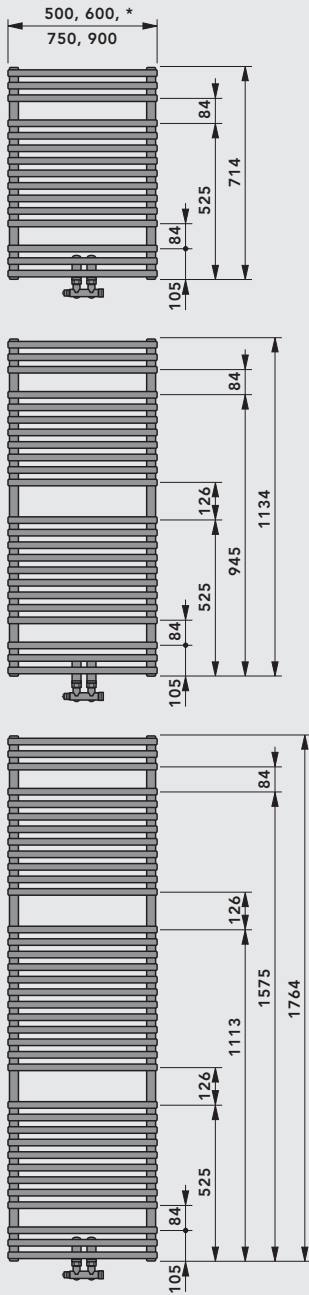


## Dimensions [mm]



\* in chrome finish: overall length 500 and 600 mm



### Connections

2 x external thread G 3/4 (valve connection set) and 4 x internal thread 1/2  
Connection options  
In line with drawing



### Test overpressure

13 bar



### Max. operating overpressure

10 bar



### Maximum operating temperature

110 °C

## DION-VM RAL 9016

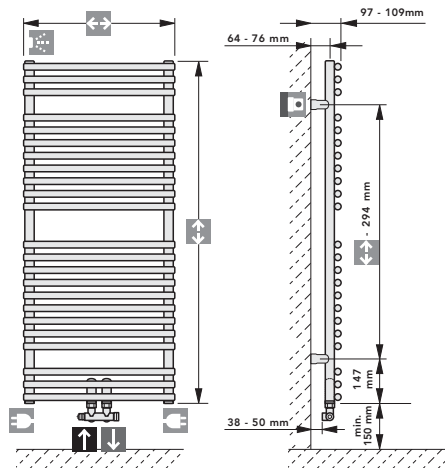
Nominal height (Overall height) [mm]	Overall length [mm]	Nominal power <sup>(1)</sup> Watts					Radiator exponent n	E-heat element Output <sup>(2)</sup> Watts	Weight kg	Water content l
		75/65/20 °C	70/55/20 °C	70/55/24 °C	55/45/20 °C	55/45/24 °C				
700 (714)	500	374	304	265	196	161	1,270	300	2,8	6,8
	600	437	353	306	223	183	1,314	300	3,2	7,8
	750	529	428	372	272	223	1,302	300	3,9	9,2
	900	617	500	435	319	262	1,291	300	4,6	10,6
1100 (1134)	500	568	458	397	289	236	1,322	300	4,5	10,4
	600	663	536	464	339	277	1,314	300	5,3	11,8
	750	802	649	564	412	338	1,302	600	6,4	13,9
	900	937	760	661	485	398	1,291	600	7,5	16,0
1800 (1764)	500	886	712	616	447	364	1,341	600	7,5	15,8
	600	1035	833	721	523	427	1,336	600	8,5	18,2
	750	1252	1009	874	635	519	1,328	900	9,9	21,7
	900	1462	1180	1022	745	609	1,321	900	11,3	25,2

<sup>(1)</sup> Tested in accordance with ÖNORM EN 442 <sup>(2)</sup> at 60 °C

## DION-VM chrome

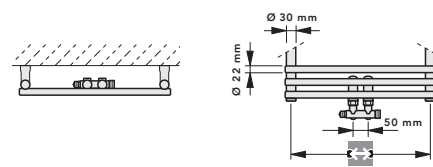
Nominal height (Overall height) [mm]	Overall length [mm]	Nominal power <sup>(1)</sup> Watts					Radiator exponent n	E-heat element Output <sup>(2)</sup> Watts	Weight kg	Water content l
		75/65/20 °C	70/55/20 °C	70/55/24 °C	55/45/20 °C	55/45/24 °C				
1100 (1134)	500	388	315	274	202	166	1,279	300	4,5	10,4
	600	452	368	321	237	195	1,264	300	5,3	11,8
1800 (1764)	500	603	489	425	311	255	1,295	300	7,5	15,8
	600	701	570	497	366	302	1,271	600	8,5	18,2

<sup>(1)</sup> Tested in accordance with ÖNORM EN 442 <sup>(2)</sup> at 60 °C



**Overall depth (incl. wall clearance)**  
97 - 109 mm

**Boss spacing**  
overall length - 40 mm



### Accessories: PTC electric heating element

All DION-VM towel warmers fitted with an electric heating element can also be used when the regular heating system is switched off. It is **essential** to take into account the power ratings assigned to the electric heating elements.

### Free accessories

- A pivotable vent plug, G 1/2, nickel-plated brass, self-sealing
- Three dummy plugs in the design with valves
- A wall mounting set
- A fitting aid
- An instruction sheet