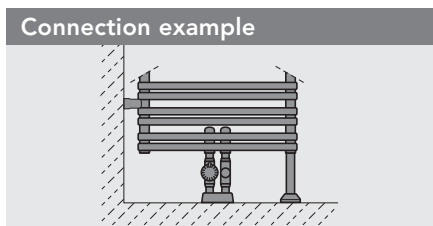
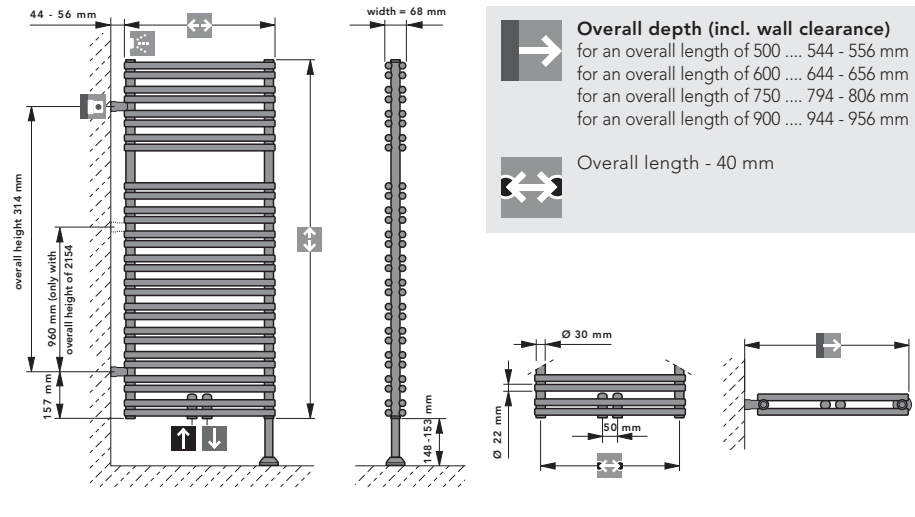


ARUN-T

Nominal height (Overall height) [mm]	Overall length [mm]	Heat output ⁽¹⁾ in Watts					Radiator exponent n	Weight kg	Water content l
		75/65/20 °C	70/55/20 °C	70/55/24 °C	55/45/20 °C	55/45/24 °C			
1200 (1194)	500	885	721	628	464	382	1,265	20,8	9,4
	600	1061	866	756	560	463	1,251	24,2	11,2
	750	1326	1086	950	708	587	1,229	29,4	14,0
	900	1590	1307	1146	858	714	1,208	34,4	16,6
1800 (1754)	500	1222	994	865	638	525	1,274	28,8	14,2
	600	1466	1195	1043	771	637	1,258	34,9	16,6
	750	1831	1498	1311	975	808	1,233	42,1	20,0
	900	2196	1804	1583	1184	985	1,209	49,5	23,4
2200 (2154)	500	1445	1164	1008	733	598	1,330	37,1	17,3
	600	1724	1389	1202	874	714	1,330	43,3	20,4
	750	2145	1728	1496	1087	888	1,330	52,5	25,1
	900	2560	2062	1786	1298	1060	1,330	61,6	29,5

⁽¹⁾ Tested in accordance with ÖNORM EN 442



- Connections**
 5 x G 1/2 Internal thread and
 1 x G 1/2 Internal thread blind sleeve for floor fastening
Connection modes see diagram
- Test overpressure**
 13 bar
- Maximum positive operating pressure**
 10 bar
- Maximum operating temperature**
 110 °C

- Standard basic configuration**
- A pivotable vent plug, G 1/2, and two dummy plugs, G 1/2, nickel-plated brass, self-sealing
 - A wall and floor fastening set matching the radiator colour
 - Fitting aid
 - Instruction sheet